



## INSBO4IRF36

**| 4.1MP H265 IR Still Image  
Bullet Camera w/3.6mm Lens**

## Unify your Security Solution

**STORM smart encoding technology can provide high-quality video with higher efficiency and can also reduce the cost of storage space and transmission adopting an advanced algorithm of auto stream control.**

### On- board Analytics

This camera responds accurately to specific events in a given area. Our algorithm enables Tripwire violations, intrusion detection, abandoned/missing objects and much more. Facilitate your viewing experience using on the edge ana-lytics – one product, multiple features.

### Wide Dynamic Range

Our camera offers TRUE WDR tech-nology produce a high-quality picture across a wide range of lighting levels.

### On-Board Analytics

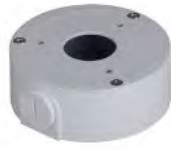
This camera responds accurately to specific events in a given area. Our algorithm enables Tripwire violations, intrusion detection, abandoned/missing objects and much more. Facilitate your your viewing experience using on the edge analytics - one product, multiple features.

# Technical Specifications

Camera					
Image Sensor	1/3" 4 Megapixel progressive CMOS				
Effective Pixels	2688(H)x1520(V)				
RAM/ROM	512MB/32MB				
Scanning System	Progressive				
Electronic Shutter Speed	Auto/Manual, 1/3~1/100000s				
Minimum Illumination	0.08Lux/F2.0( Color,1/3s,30IRE) 0.3Lux/F2.0( Color,1/30s,30IRE) 0Lux/F2.0(IR on)				
S/N Ratio	More than 50dB				
IR On/Off Control	Auto/Manual				
IR LEDs	18				
IR Distance	Distance up to 30m(98ft)				
Camera Features					
Lens Type	Fixed Lens				
Mount Type	Board-in				
Focal Length	3.6mm				
Max. Aperture	F2.0				
Field of view	H:104°/87°, V:57°/48°				
Iris Type	Fixed aperture				
Pan/Tilt Range	Pan:0° ~360° ;Tilt:0° ~90° ;Rotation:0° ~360°				
DORI Distance	Lens	Detect	Observe	Recognize	Identify
	3.6mm	80m(262ft)	32m(105ft)	16m(52ft)	8m(26ft)
Video					
Event Trigger	Motion detection, Video tampering, Scene changing, Network disconnection, Ip address conflict, Illegal access, Storage anomaly				
IVS	Tripwire, Intrusion				
Video Compression	H.265/H.264H/MJPEG(Sub Stream)				
Smart Codec	Support H.265+/H.264+				
Streaming Capability	2 Streams				
Resolution	4M(2688x1520)/3M(2304x1296)/1080P(1920x1080)/720P(1280x720)/VGA(640x480)/D1(704x576/704x480)/CIF(352x288/352x240)				
Frame Rate	Main Stream: 4M(1 ~ 20fps)/3M (1 ~ 25/30fps) Sub Stream: D1(1 ~ 25/30fps)				
Bit Rate Control	CBR/VBR				
Bit Rate	H.265: 12K ~ 8448Kbps H.264: 32K ~ 10240Kbps				
Day/Night	Auto(ICR) / Color / B/W				
BLC/HLC/WDR	Yes/Yes/120dB				
White Balance	Auto/Natural/Street Lamp/Outdoor/Manual				
Gain Control	Auto/Manual				
Noise Reduction	3D DNR				

# Technical Specifications

Motion Detection	OFF/ON (4 areas, rectangular)
Region of Interest(Rol)	Yes (4 areas)
Smart IR	Yes
Digital Zoom	16x
Image Rotation	0°/90°/180°/270°
Mirror	Off / On
Privacy Masking	Off / On (4 Area, Rectangle)
<b>Network</b>	
Network	RJ-45 (10/100Base-T)
Protocol	HTTP;HTTPS;TCP;ARP;RTSP;RTP;RTCP;UDP;SMTP; FTP;DHCP;DNS;DDNS;PPPoE;IPV4/V6;QoS;UPnP; NTP;Bonjour;IEEE 802.1X;Multicast;ICMP;IGMP;TLS
Interoperability	API
Streaming Method	Unicast / Multicast
Max. User Access	10 Users / 20 Users
Edge Storage	Local PC for instant recording
Web Viewer	IE, Chrome, Firefox, Safari
Management Software	STORM, STORM +
Mobile Phone	IOS; Android
<b>Certifications</b>	
Certifications	CE (EN 60950:2000) UL:UL60950-1 FCC: FCC Part 15 Subpart B
<b>Power</b>	
Power Supply	DC12V, PoE(IEEE 802.3af)(Class 0)
Power Consumption	< 5.5W
<b>Environment</b>	
Operating Conditions	-30° C ~ +60° C (-22° F ~ +140° F) / Less than 95% RH
Storage Conditions	-30° C ~ +60° C (-22° F ~ +140° F) / Less than 95% RH
Ingress Protection	IP67
Vandal Resistance	N/A
<b>Structure</b>	
Casing	Metal+Plastic
Dimensions	Φ70mm×164.7mm(2.76"x6.49")
Net Weight	0.38Kg(0.84lb)
Gross Weight	0.44Kg(0.97lb)



INSX134  
Junction Box

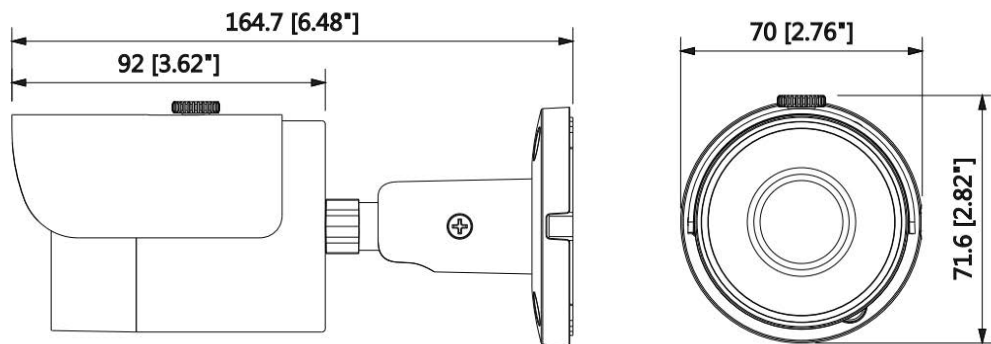


INSX151  
Corner Mount

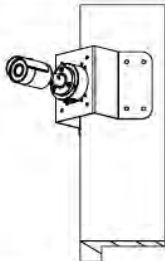
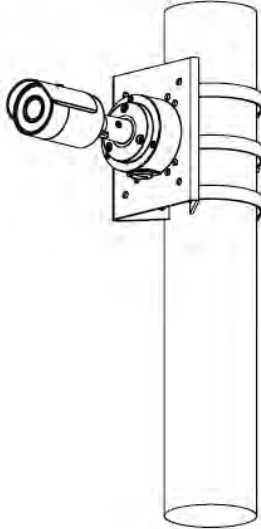


INSX150  
Pole Mount

## Dimensions (mm)



## Mounting solution

Corner Mount	Pole Mount
INSX134 + INSX151	INSX134 + INSX150
	
Junction Mount	
INSX134	
